



CALL OF DUTY.
MODERN WARFARE 2



ACTIVISION

Important Health Warning About Playing Video Games

Photosensitive Seizures

A very small percentage of people may experience a seizure when exposed to certain visual images, including flashing lights or patterns that may appear in video games. Even people who have no history of seizures or epilepsy may have an undiagnosed condition that can cause these “photosensitive epileptic seizures” while watching video games.

These seizures may have a variety of symptoms, including lightheadedness, altered vision, eye or face twitching, jerking or shaking of arms or legs, disorientation, confusion, or momentary loss of awareness. Seizures may also cause loss of consciousness or convulsions that can lead to injury from falling down or striking nearby objects.

Immediately stop playing and consult a doctor if you experience any of these symptoms. Parents should watch for or ask their children about the above symptoms—children and teenagers are more likely than adults to experience these seizures. The risk of photosensitive epileptic seizures may be reduced by taking the following precautions: Sit farther from the screen; use a smaller screen; play in a well-lit room; and do not play when you are drowsy or fatigued.

If you or any of your relatives have a history of seizures or epilepsy, consult a doctor before playing.

ESRB Game Ratings

The Entertainment Software Rating Board (ESRB) ratings are designed to provide consumers, especially parents, with concise, impartial guidance about the age-appropriateness and content of computer and video games. This information can help consumers make informed purchase decisions about which games they deem suitable for their children and families.

ESRB ratings have two equal parts:

- **Rating Symbols** suggest age appropriateness for the game. These symbols appear on the front of virtually every game box available for retail sale or rental in the United States and Canada.
- **Content Descriptors** indicate elements in a game that may have triggered a particular rating and/or may be of interest or concern. The descriptors appear on the back of the box next to the rating symbol.



For more information, visit www.ESRB.org

TABLE OF CONTENTS

| | |
|-------------------------------------|----|
| Game Controls | 2 |
| Main Menu..... | 3 |
| Heads-Up Display (HUD) | 4 |
| Health System | 5 |
| Pause/Objectives Screen | 5 |
| Multiplayer Objectives Screen | 5 |
| Options..... | 5 |
| Stats..... | 5 |
| Credits | 6 |
| Customer Support | 15 |
| Software License Agreement..... | 16 |

GAME CONTROLS

| Default Button | Command |
|------------------------|---------------------------------|
| W | Forward |
| S | Back |
| A | Left |
| D | Right |
| SHIFT | Sprint |
| Left Mouse Button | Attack |
| Right Mouse Button | Aim Down Sight |
| E | Melee |
| N | Nightvision |
| 3 | Grenade Launcher |
| 4 (MP), 5 (SP) | C4, UAV, Airstrike & Helicopter |
| 4 | Claymore |
| 1 | Next Weapon |
| 2 | Previous Weapon |
| Middle Mouse Button, G | Throw Frag Grenade |
| Q | Throw Smoke, Flashbang Grenades |
| F | Activate |
| R | Reload Weapon |
| Tab Key | View Score |
| Space bar | Up Stance/Jump |
| CTRL Key | Go prone |
| C | Crouch |
| Pause Key | Pause |

| Default Button | Command |
|----------------|------------------------|
| Esc Key | Menu |
| ~ | Bring up console |
| T | Multiplayer Text Chat |
| Y | Multiplayer Team Chat |
| Z | Multiplayer Voice Chat |
| F1 | Multiplayer Vote Yes |
| F2 | Multiplayer Vote No |
| F4 | Multiplayer Scores |
| F12 | Take a Screenshot |

MAIN MENU

Choose between the Story, Special Ops and Multiplayer Modern Warfare® 2 experience, as well as view your completion percentages for each mode.

CAMPAIGN

Pick up where *Call of Duty®4: Modern Warfare®* ended and continue the single player experience in the *Modern Warfare™2* campaign. From the Story menu you can resume your most recent campaign or start a new one. You may also use the **Mission Select** option to replay an already completed mission at any difficulty.

*Note: Modern Warfare®2 uses an automatic checkpoint save system to save your game progress. You may also choose to use the **Save and Quit** option from the in-game Pause menu.*

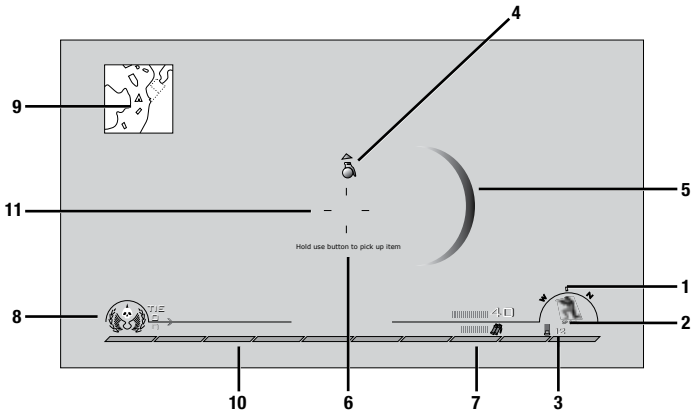
SPECIAL OPS

Take on a variety of custom-designed challenging missions in Special Ops—solo or with a friend. Experience co-op play in Special Ops locally or remotely online. You can also use this menu to revisit any unlocked Special Ops mission and attempt to complete it on one of three difficulties.

MULTIPLAYER

Compete with other *Modern Warfare*®2 players online and locally in a variety of maps and game modes in Multiplayer (MP). Unlock new weapons, attachments, perks and rank up in MP!

HEADS-UP DISPLAY



- 1. Compass** – Shows the direction you are facing.
- 2. Stance Indicator** – Indicates whether you are standing, crouching or prone. (SP Only)
- 3. Inventory** – Displays devices and/or weapon attachments that are currently available.
- 4. Grenade Indicator** – Icon warning you that there is a grenade nearby, arrow indicates the location of the grenade.
- 5. Damage Indicator** – Red marker shows that you are taking damage and the direction the damage is coming from. (See Health System, below)
- 6. Use Icon** – This only appears when you are near a weapon or interactive object, indicates what button to press to interact with the weapon or object.
- 7. Ammo Count** – Shows remaining bullets for currently equipped weapon, as well as remaining grenade supplies.
- 8. Match Info** – Displays current score, team icon and time remaining in match. (MP Only)
- 9. Mini-Map** – Shows map of local area plus locations of friendlies and known hostiles.
- 10. XP Bar** – Shows progress on your current rank in MP. (MP Only)

11. Crosshair – Indicates where you are currently pointing your weapon. Turns red when positioned over an enemy, green when positioned over a friendly. Walking or running causes the crosshair to grow wider or sometimes disappear altogether, indicating a loss of accuracy. Stopping movement, crouching and going prone increase accuracy.*

**Note: When you press the ADS button, you will aim down the sights or scope of your weapon. This will greatly increase your accuracy and decrease your movement speed. While in ADS the crosshair will disappear.*

HEALTH SYSTEM

When you take damage from enemy fire, blood splatter will appear and the damage indicator will show you the direction the fire is coming from. If you can find cover and avoid enemy fire you will eventually recover and be able to continue at full strength.

PAUSE/OBJECTIVES SCREEN

Press the Esc Key any time in Story or Special Ops to pause the game and access this menu. From here you may access game Options (described below), restart the current level, revert to your last checkpoint, lower the difficulty of the game if the mission is too hard, or save and quit to the Main Menu.

MULTIPLAYER OBJECTIVES SCREEN

Modern Warfare^{®2} cannot be paused while playing in MP mode. Esc Key in MP will bring up a menu that will allow you to choose a new class (taking effect on your next spawn), view the description of your current game mode, and access the Options menu. Keep in mind that the MP match is still active in the background when you are in this screen.

OPTIONS

You may access the Options menu from the main menus or in-game via the Pause/Objectives Screen and MP Objectives Screen. In this menu you can choose different control schemes, or adjust various game settings such as control sensitivity or look inversion.

STATS

In the Story and Special Ops main menus you may access the Stats option to view statistics for each mode, such as play time and completion percentage. In Multiplayer various statistics are available via the Barracks section.

CREDITS

INFINITY WARD

Directed by

Jason West

Engineering Leads

Richard Baker

Robert Field

Francesco Gigliotti

Earl Hammon, Jr

Engineering

Chad Barb

Alessandro Bartolucci

Simon Cournoyer

Jon Davis

Joel Gompert

John Haggerty

Chris Lambert

Jon Shiring

Jiesang Song

Rayme C. Vinson

Andrew Wang

Design Leads

Todd Alderman

Steve Fukuda

Mackey McCandlish

Zied Rieke

Design and Scripting

Roger Abrahamsson

Mohammad Alavi

Keith "Ned" Bell

Mike Denny

Christopher Dionne

Preston Glenn

Chad Grenier

Jordan Hirsh

Jake Keating

Julian Luo

Brent McCleod

Jason McCord

Jon Porter

Alexander Roycewicz

Paul Sandler

Nathan Silvers

Sean Slayback

Geoffrey Smith

Charlie Wiederhold

Art Director

Richard Kriegler

Technical Art Director

Michael A. Boon

Art Leads

Christopher Cherubini

Joel Emslie

Robert Gaines

Art

Brad Allen

Peter Chen

William Cho

Derric Eady

Steven Giesler

Jeff Heath

David Johnson

Ryan M. Lastimosa

Oscar Lopez

Tim McGrath

Taehoon Oh

Sami Onur

Velinda Pelayo

Serozh Sarkisyan

Richard N. Smith

Theerapol Srisuphan

Todd Sue

Animation Leads

Mark Grigsby

Paul Messerly

Animation

Bruce Ferriz

Chance Glasco

Zach Volker

Lei Yang

Motion Capture Integration

Mario Perez

Technical Animation Lead

Eric Pierce

Technical Animation

Neel Kar

Cheng Lor

Audio Lead

Mark Ganus

Audio

Chrissy Arya

Stephen Miller

Written by

Jesse Stern

Additional Writing

Steve Fukuda

Story by

Todd Alderman

Steve Fukuda

Mackey McCandlish

Zied Rieke

Jesse Stern

Jason West

Writer's Assistant

Aaron Tracy

CEO/CFO

Vince Zampella

Producer

Mark A. Rubin

Associate Producers

Pete Blumel
John Wasilczyk

Office Manager

Janice Lohr Turner

Human Resources**Generalist**

Kristin Cotterell

Executive Assistants

Carly Gillis
Cathie Ichige

Reception

Lisa Stone

Creative Strategist

Robert Bowling

**PR Director, Owned
Properties (ATVI)**

Mike Mantarro

**Director of Marketing
(ATVI)**

Byron Beede

President/CCO

Jason West

IT Manager

Bryan Kuhn

System Administrator

Drew McCoy

**Information Systems
Analyst**

Chris Lai

Unix Systems Architect

Robert A. Dye

Concept Art

Brad Allen
Joel Emslie
Neel Kar
Richard Kriegler
Richard N. Smith

Battlechatter Dialogue

Sean Slayback

Additional Menu Scripting

Julian Luo
Brent McLeod

QA Manager

Mike Seal

QA Floor Leads

Ed Harmer
Justin Harris

Quality Assurance

Mary Benitez
Chelsy Berry
Candice Capen
Terran Casey
Michael Penrod
Anthony Rubin
Georgeina Schaller
Chris Shepherd
John Theodore
Daniel Wapner

**Cast (in order of
appearance)**

Lance Henriksen
Keith David
Barry Pepper
Kevin McKidd
Roman Varshavsky
Craig Fairbrass
Sven Holmberg
Billy Murray

Additional Voice Talent

Eugene Alpers
Gabrielle Al-Rajhi
Will Arnett
Troy Baker
Brian Bloom
Alex Bronquette
Coy Clark
Michael Cudlitz
Enayat Delawary
Daniel Gamburg
Josh Gilman
Anna Graves
Mark Grigsby
Curtis Jackson
Boris Kievsky
Kristof Konrad
Mauricio Lange
Eugene Lazareb
Matt Lindquist
David Lodge
Dave Mallow
Jordan Marder
Graham McTavish
Matt Mercer
Glenn Morshower
Sam Sako
Randy Stonitsch
Fred Tatasciore
Justin Theroux
Kirk Thornton
Fred Toma
Alex Veadov
Jim Ward
Kai Wulff

Main Themes by

Hans Zimmer

Music Produced by

Hans Zimmer
Lorne Balfe

Music Composed by

Lorne Balfe

Additional Music

Thomas Bergersen
Mark Mancina
Dave Metzger
Atli Orvarsson
Nick Phoenix
Jacob Shea
Noah Sorota

Additional Arranging and Programming

Ryeland Allison
Tom Broderick
Clay Duncan
Bart Hendrickson
Andrew Kawczynski

Music Editor

Dan Pinder

Music Production Services

Steven Kofsky

Music Supervisor

Tom Broderick

Score Wrangler

Bob “call me old-fashioned”
Badami

Soloists - Guitar

Tom Broderick

Percussion

Satnam Ramgotra
Ryeland Allison

Violin

Noah Sorota

Music Mixed by

Alan Meyerson

Additional Engineering

Slamm Andrews

Jeff Biggers
Katia Lewin Palomo

Assistant Engineer

Adam Schmidt

Production Coordinator for Hans Zimmer

Andrew Zack

Music mixed at Remote Control Productions, Inc.

“Crime Wave”

C. Jackson, J. Fragala, D.
Zacharias, W. Witherspoon
A. Bond

50 Cent Music Publishing
admin by Universal Music
Publishing (ASCAP)

Jason Fragala (ASCAP)/Daniel
Zacharias (ASCAP)

Gold Forever Music, Inc.
(admin by Songs of Universal,
Inc.) (BMI)

Contains elements from “I
Can’t Believe You’re Gone”
(Witherspoon/Bond)

Gold Forever Music, Inc.
(admin by Songs of Universal,
Inc.) (BMI)

Used by Permission. All
Rights Reserved. Performed
by The Barrino Brothers.

Used courtesy of Invictus
Records/Holland, Dozier,
Holland Productions.

“Survival Skills”

KRS-ONE & BUCKSHOT
R. Ibanga Jr., K. Blake,
L. Parker

Da Sour Milk Café Publishing
(ASCAP), Target Practice
Music (ASCAP)

BDP Music (Zomba Music/
Universal Music Group)

Duck Down Music Inc. 2009

“Danger”

Marco Polo & Torae

T. Carr, M. Bruno

Coney Island’s Finest (ASCAP),
M. Bruno (SOCAN/SESAC)

Duck Down Music Inc. 2009

“New New”

Suga City ft. Maria V

Arkansas Bo (Marlon
Jennings) and Goines
(Andrew Goines)

Conduit Publishing

Label Courtesy Credit:
Conduit Entertainment

Cinematic Movies Provided by SPOV

Yugen Blake
Miles Christensen
Julio Dean
David Hicks
Paul Hunt
Vincent Kane
Rhiwallon Leadbeater
Allen Leitch
Rob Millington
Gemma Thompson
Steve Townrow

SPOV Production Babies

Baby Jacob Hartley-Blake
and Mother Sarah
Baby Beatrice V.B. Leitch and
Mother Scarlett

Baby Elspeth M.A. Leitch and
Mother Scarlett

**Title Sequence/Additional
Art by**

The Ant Farm

Producer

Scott Carson

Executive Creative Director

Rob Troy

Ant Farm Production Baby

Baby Marley Troy and
Mother Lisa

**Additional Sound Design,
Audio Implementation
and Cinematic Sound
Production Provided by**

Earbash Audio, Inc.

**Additional Voice Editing/
Integration**

Nakia Harris
Jeremy Simpson

Additional Art

Shadows in Darkness
Vykarian

**Additional Concept Art
Provided by**

Paul Christopher
Thomas Szokolczay
Tyler West

**Voice Recording Facilities
in Los Angeles Provided by**

PCB Productions, Encino, CA
Side-UK, London, UK

**Voice Direction/Dialogue
Engineering**

Keith Arem

Additional Voice Direction

Steve Fukuda

Sound Effects Recording

John Paul Fasal

Video Editing

Drew McCoy

**Motion Capture Provided
by Neversoft Entertainment**

Motion Capture Lead

Kristina Adelmeyer

**Motion Capture
Technicians**

Anet Hambarsumian
Justin Parish
Sean Watson

**Stunt Action Designed by
87 Eleven Action Film Co.**

www.87eleven.com

Stunt Coordinator

Danny Hernandez

**Stunts/Motion
Capture Actors**

Clayton Barber
Danny Hernandez
Allen Jo
Ralf Koch
Kenny Richards
Jackson Spidell
Jake Swallow
Don Theerathada
Justin Williams
Kofi Yiadom

Additional Design

Steve Massey

Additional Art

Joe Simanello

Military Technical Advisors

Lt. Col. Hank Keirsey US
Army (Ret.)
Emilio Cuesta USMC

Weapons Provided by

Independent Studio Services

Armorer

Larry Zanoloff

Translations

Gabrielle Al-Rajhi
Alexandre Bronquete
Antonina Thompson
Leonela B. Wahrick

**Predator is a U.S.
Registered Trademark
of General Atomics
Aeronautical Systems, Inc.**

**Satellite Imagery Provided
by Geoeye**

www.geoeye.com

Production Babies

Baby Marley Blumel and
Mother Cathy
Baby Henry Michael Boon
and Mother Tulip
Baby Coraline Bowling and
Mother Heather
Baby Greg McCoy and
Mother Lauren
Baby Audrey McCleod and
Mother Tammy

Baby Shannon Seoyeon Oh
and Mother Eunjung

Baby Marlee Hendrix Perez
and Mother Dallas Bobbijo

Baby Emily Joyce Porter
and Mother Wendy

Baby Cooper Rieke and
Mother Hatherly

Baby Luke Smith and
Mother Lisa

Baby Song Eजूk and
Mother Jungwon

Baby Hudson Geoff Volker
and Mother Staci

Infinity Ward

Special Thanks

Lawrence Green
Benjamin Heckendorn
Joshua Lacross
The Navy Seals

ACTIVISION PUBLISHING, INC.

Producer

Chris Williams

Associate Producers

Vincent Fennel
Taylor Livingston
Derek Racca

Production Coordinators

Adrienne Arrasmith
John Banayan

Additional Production

Rhett Chassereau

Senior Executive Producer

Marcus Iremonger

Head of Production

Steve Ackrich

PUBLIC RELATIONS

Director, Owned Properties

Mike Mantarro

PR Manager

John Rafacz

Junior Publicists

Monica Pontrelli
Joshua Selinger

European PR Director

Nick Grange

Special Thanks:

Step 3

PRODUCTION SERVICES - EUROPE

Senior Director of Production Services - Europe

Barry Kehoe

Localization Manager

Fiona Ebbs

Senior Localization Project Manager

Annette Lee

Localization Project Manager

Jack O'Hara

Localization Support Analyst

Chris Osberg

Localization QA Manager

David Hickey

Localization Assistant QA Manager

Yvonne Costello

Localization QA Lead

Mannix Kelly

Localization QA Floor Lead

Frank Morisseau

Localization QA Testers

Sonia Sanchez Beneitez
John Bonham
Edward Brennan
Daniele Celegghin
Luis Hernandez Dalmau
Dario Di Spirito
Vincenzo Ferrara
Lara Sola Gallego
Aziz Janah
Christopher Kocksch
Andreas Kugler
Jeremy Levi
Sebastien Mazzerbo
Dario Milone
Loic Moisan
Sergio Gonzalez Monroy
Jeremie Morla
Gabriel Morrisseau
Kerill O'Brien-Meier
Giovanni Peroni
Sergio Fernandez Redondo
Heberto Rios
Marcell Witek
Sven Zimmermann

IT Network Technician

Fergus Lindsay

Burn Lab Technician

Todd Lambert

Localization Tools and Support Provided by Stephanie Deming & XLOC Inc.

CENTRAL TECHNOLOGY

Chief Technology Officer

Steve Pearce

VP Art Production

Alessandro Tento

Senior Online Manager

Joel Fashingbauer

ENGINEERING

VP of Online

John Bojorquez

Managing Director, DemonWare

Pat Griffith

Technical Director

Wade Brainerd

Associate Software Engineer

Ryan Ford

STUDIO CENTRAL - OUTSOURCING

Director Art Production

Riccard Linde

Technical Art Directors

Bernardo Antoniazzi

Mitch Bowler

Production Manager

Michael Restifo

Production Coordinator

Christopher Coddling

Blade Games World, Inc. CEO

Tom Sperry

Director of Business Development

Claas Grimm

Producer

Zhu Xiaoxiao

Art Director

Xie Haitian

Artists

Zhou Chen

Kan Jianqing

Cai Jingyu

Xu Ping

Zhu Shi

Wang Xiangyu

Ning Xusong

Yu Yang

DemonWare

Nadia Alramli

David Brennan

Morgan Brickley

Luke Burden

Aaron Burt

David Cahill

Michael Collins

Tim Czerniak

Brendan Dillon

Malcolm Dowse

Jonathan Frawley

Paul Froese

Eoghan Gaffney

Arthur Green

Padraic Hallinan

Steffen Higel

Tony Kelly

John Kirk

Lance Laursen

Damien Marshall

Craig McInnes

Ian McLeod

Eoin O'Fearghail

Byron Pile

Ruaidhri Power

Tilman Schäfer

Gordon Schneider

Amy Smith

Ronny Southwood

Emmanuel Stone

Jason Wei

Christopher Werner

Peter Wright

GLOBAL BRAND MANAGEMENT

Vice President of Marketing

Rob Kostich

Director of Marketing

Byron Beede

Global Brand Manager

Geoff Carroll

Associate Brand Managers

Joe Korsmo

Mike Schaefer

David Wang

MARKETING COMMUNICATIONS

Marketing Communications

Sr. Director

Jack Oh

Marketing Communications Manager

Karen Starr

**Interactive Marketing
Director**

Carlson Choi

**Interactive Marketing
Manager**

Clinton Wu

**Interactive Marketing
Assoc. Manager**

Eric So

ART SERVICES

Art Services Manager

Todd Pruyin

Art Services Lead

Chris Reinhart

**BUSINESS AND
LEGAL AFFAIRS**

David Blackwell

Chris Cosby

Greg Deutsch

Jane Elms

Kap Kang

Kate Ogosta

Amanda O'Keefe

Travis Stansbury

Phil Terzian

Mary Tuck

**OPERATIONS AND
STUDIO PLANNING**

**Senior Director of
Production Services**

Suzan Rude

**Director of European
Partner Relationships**

Samuel Peterson

**TALENT AND AUDIO
MANAGEMENT
GROUP**

**Director, Talent and Audio
Management Group**

Adam Levenson

Talent Acquisition Manager

Marchele Hardin

Talent Associate

Noah Sarid

Talent Coordinator

Stefani Jones

FINANCE

**VP of Studio Finance and
Royalties**

Raj Sain

Finance Manager

Clinton Allen

Harjinder Singh

Sr. Financial Analyst

Jason Jordan

Finance Analyst

Adrian Gomez

Jason Jordan

Fransisca Tan

**ACTIVISION SPECIAL
THANKS**

Mike Griffith

Brian Ward

Steve Pearce

Dave Stohl

**QUALITY
ASSURANCE**

**VP Quality Assurance/
Customer Service**

Paul Sterngold

QA Senior Project Lead

Henry P. Villanueva

QA Manager

Glenn Vistante

**QUALITY
ASSURANCE
PRODUCTION
TESTING**

QA Project Lead

Erik Melen

QA Testers

Xiaohu Alcocer

Mike Arden

Brandon Aronson

Rich Bernot

Tarikh Brown

Robert Chaplin

Joe Chavez

Kevin Chester

Quentin (Tremayne) Cobb

Charles Davis

John Estioko

Davion Farris

Cory Furlow

John Goldsworthy

Andrew Grass

Andrew Gulotta

Daniel Herscher

Ulysses Holguin

Tabari Jeffries

Nate Kinney

Bradon Miller

Sean Moline

Michael Montoya

Carlos Moran

Anthony Moreno
Craig Nelson
Gabe Noto
Pete (Romulo) Pedroza
Brian Post
Greg Sands
Chad Schmidt
Adam Smith
Lou Studdert
Ryan Trondsen
Jose Vega
Levett Washington
Matt Wellman

TECHNICAL REQUIREMENTS GROUP

Director, QA

Christopher Wilson

TRG Manager

John Rosser

TRG Submissions Leads

Daniel L. Nichols
Christopher Norman

TRG Submissions Adjutant

Dustin Carter

QA CODE RELEASE GROUP

QA Certification Lab Senior Leads

Cyra Talton
Brandon Valdez

QA Certification Lab Project Lead

Fausto Lorenzano

QA CRG Project Lead

Matt Ryan

QA CRG Floor Lead

Jonathan Mack

QA CRG Tester

Christian Vasco

QA NETWORK LAB

Manager, QA Operations

Chris Keim

QA Network Lab Project Leads

Jessie Jones
Leonard Rodriguez

QA Network Lab Tester

Bryan Chice

QA MULTIPLAYER LAB

QA Multiplayer Lab Lead

Garrett Oshiro

QA MPL Senior Tester

Shamen'e Childress

QA MPL Acting Floor Leads and Testers

Mikey Ackland
Matt Brannon
Jon Bunch
Emmanuel Cruz
Nick Gram
Mario Ibarra
Bruce James
Bobby Jones
Jaemin Kang
Brian Lay
Chris Mintzias
Travis Otten
Richard Salmon

QA COMPATABILITY LAB

QA-CL Lab Project Leads

Robert Fenoglio
Farid Kazimi
Austin Kienzle

QA-CL Lab Testers

Albert Lee
William Whaley

QA MASTERING LAB

Sr. Manager, QA Technologies

Indra Yee

Mastering Lab Supervisor

John Donnelly

Lead Mastering Lab Technician

Sean Kim

Senior Mastering Lab Technician

Danny Feng

Mastering Lab Technicians

Tyree Deramus
Jose Hernandez
Kai Hsu
Rodrigo Magana
Steven Rodriguez
Leejay Ronquillo
Orbel Shakhmalian
Gary Washington

QA-MIS

Senior Manager, QA Technologies

Indra Yee

QA-MIS Manager

Dave Garcia-Gomez

QA-MIS Technicians

Chris Gill
Teddy Hwang
Brian Martin
Jeremy Torres
Lawrence Wei

QA-MIS Junior Technicians

Lovely Morata
Neal Nikaido
Orren Webber

Technology Technician

Sean Olson

**QA-MIS Equipment
Coordinators**

Long Le
Coleman Thaxton III

**QA DATABASE
ADMINISTRATION
GROUP****Senior Lead Database
Administrator**

Jeremy Richards

**Lead Database
Administrator**

Kelly Huffine

Database Technicians

Christopher Shanley
Timothy Toledo

DBS Senior Tester

Wayne Williams

DBS Testers

Allison Diaz
David Trinh
Randi Williams-Pardo

**QA OPERATIONS
GROUP****Director, QA Operations**

George Viegas

**Operations and
Planning Supervisor**

Jeremy Shortell
Operations Associate
Paul Colbert

**CUSTOMER
SUPPORT****Customer Support
Managers**

Gary Bolduc
Michael Hill

QA SPECIAL THANKS

Abby Alvarado
Nuria Andres

Brian Carlson
Michael Clarke
Randolph d'Amore
Seth d'Amore
Maria Gonzalez
Rachel Overton
Jacqueline Jolie Sheltmire
Nadine Theuzillot
Jennifer Vitiello
Marc Williams
Rachel Levine
Joanne Vistante
Beth Kiefner

Manual Design

Ignited, LLC

Packaging Design by

Hamagami & Carroll

Fonts licensed from:

T26, Inc.
Monotype
Elsner+Flake Type
Comnsulting GmbH



Bink Video. Copyright © 1997–2009 by RAD Game Tools, Inc.
Miles Sound System. Copyright © 1991–2009 by RAD Game Tools, Inc

The characters and events depicted in this game are fictitious. Any similarity to actual persons, living or dead, is purely coincidental.

CUSTOMER SUPPORT

Note: Please do not contact Customer Support for hints/codes/cheats; only technical issues.

Internet: <http://www.activision.com/support>

Our support section of the Web has the most up-to-date information available. We update the support pages daily, so please check here first for solutions. If you cannot find an answer to your issue, you can submit a question/incident to us using the online support form. A response may take anywhere from 24–72 hours depending on the volume of messages we receive and the nature of your problem.

Note: All support is handled in English only.

Note: The multiplayer components of Activision games are handled only through Internet support.

Phone: (310) 255-2050

You can call our 24-hour automated voice system for answers to our most frequently asked questions at the above number. Contact a Customer Support representative at the same number between the hours of 9:00 a.m. and 5:00 p.m. (Pacific Time), Monday through Friday, except holidays.

Please see the Limited Warranty contained within our Software License Agreement for warranty replacements. **We recommend that you first contact an Activision Technical Support Representative by phone or Internet before sending your product to us.** In many cases, a replacement is not necessary to resolve your problem. Our support representatives will help you determine if a replacement is necessary. If a replacement is appropriate we can issue you an Incident/Reference number to help process your replacement. Non-warranty game returns/refunds should be dealt with by the retailer or online site where you purchased the product.

Register your product online at <http://register.activision.com> so we can enter you in our monthly drawing for a fabulous Activision prize.

SOFTWARE LICENSE AGREEMENT

IMPORTANT - READ CAREFULLY: USE OF THIS PROGRAM IS SUBJECT TO THE SOFTWARE LICENSE TERMS SET FORTH BELOW. "PROGRAM" INCLUDES ALL SOFTWARE INCLUDED WITH THIS AGREEMENT, THE ASSOCIATED MEDIA, ANY PRINTED MATERIALS, AND ANY ONLINE OR ELECTRONIC DOCUMENTATION, AND ANY AND ALL COPIES OF SUCH SOFTWARE AND MATERIALS. BY OPENING THIS PACKAGE, INSTALLING, AND/OR USING THE PROGRAM AND ANY SOFTWARE PROGRAMS INCLUDED WITHIN OR, IF YOU ARE DOWNLOADING THIS PROGRAM FROM AN AUTHORIZED ACTIVISION ONLINE RESELLER, BY DOWNLOADING, INSTALLING AND/OR USING THIS PROGRAM, YOU ACCEPT THE TERMS OF THIS LICENSE WITH ACTIVISION PUBLISHING, INC. AND ITS AFFILIATES ("ACTIVISION").

LIMITED USE LICENSE. Activision grants you the non-exclusive, non-transferable, limited right and license to install and use one copy of this Program solely and exclusively for your personal use. All rights not specifically granted under this Agreement are reserved by Activision and, as applicable, Activision's licensors. This Program is licensed, not sold. Your license confers no title or ownership in this Program and should not be construed as a sale of any rights in this Program. This Software License Agreement shall also apply to any patches or updates you may obtain for the Program.

OWNERSHIP. All title, ownership rights and intellectual property rights in and to this Program (including but not limited to any patches and updates) and any and all copies thereof (including but not limited to any titles, computer code, themes, objects, characters, character names, stories, dialog, catch phrases, locations, concepts, artwork, animation, sounds, musical compositions, audio-visual effects, methods of operation, moral rights, any related documentation, and "applets" incorporated into this Program) are owned by Activision, affiliates of Activision or Activision's licensors. This Program is protected by the copyright laws of the United States, international copyright treaties and conventions and other laws. This Program contains certain licensed materials and Activision's licensors may protect their rights in the event of any violation of this Agreement.

YOU SHALL NOT:

- Exploit this Program or any of its parts commercially, including but not limited to use at a cyber cafe, computer gaming center or any other location-based site. Activision may offer a separate Site License Agreement to permit you to make this Program available for commercial use; see the contact information below.
- Use this Program, or permit use of this Program, on more than one computer, computer terminal, or workstation at the same time.
- Make copies of this Program or any part thereof, or make copies of the materials accompanying this Program.
- Copy this Program onto a hard drive or other storage device except as specifically permitted herein; you must run this Program from the included CD-ROM or DVD-ROM (although this Program itself may automatically copy a portion of this Program onto your hard drive during installation in order to run more efficiently) unless you are downloading this Program from an authorized Activision online reseller.
- Use the program, or permit use of this Program, in a network, multi-user arrangement or remote access arrangement, including any online use, except as otherwise explicitly provided by this Program.
- Sell, rent, lease, license, distribute or otherwise transfer this Program, or any copies of this Program, without the express prior written consent of Activision.
- Sell, rent, lease, license, distribute or otherwise transfer any CD Key associated with this Program.
- Reverse engineer, derive source code, modify, decompile, disassemble, or create derivative works of this Program, in whole or in part.
- Remove, disable or circumvent any proprietary notices or labels contained on or within the Program.
- Hack or modify (or attempt to modify or hack) the Program, or create, develop, modify, distribute or use any software programs, in order to gain (or allow others to gain) advantage of this Program in any on-line multiplayer game settings including but not limited to local area network or any other network play or on the internet.
- Export or re-export this Program or any copy or adaptation in violation of any applicable laws or regulations.

PERMITTED INSTALLATION. If you are downloading this Program from an authorized Activision online reseller, you may install this Program onto your computer hard drive.

PROGRAM UTILITIES. This Program may contain certain design, programming and processing utilities, tools, assets and other resources ("Program Utilities") for use with this Program that allow you to create customized new game levels and other related game materials for personal use in connection with the Program ("New Game Materials"). The use of any Program Utilities is subject to the following additional license restrictions:

- You agree that, as a condition to your using the Program Utilities, you will not use or allow third parties to use the Program Utilities and the New Game Materials created by you for any commercial purposes, including but not limited to selling, renting, leasing, licensing, distributing, or otherwise transferring the ownership of such New Game Materials, whether on a stand alone basis or packaged in combination with the New Game Materials created by others, through any and all distribution channels, including, without limitation, retail sales and on-line electronic distribution. You agree not to solicit, initiate or encourage any proposal or offer from any person or entity to create any New Game Materials for commercial distribution. You agree to promptly inform Activision in writing of any instances of your receipt of any such proposal or offer.
- If you decide to make available the use of the New Game Materials created by you to other gamers, you agree to do so solely without charge.
- New Game Materials shall not contain modifications to any COM, EXE or DLL files or to any other executable Product files.
- New Game Materials may be created only if such New Game Materials can be used exclusively in combination with the retail version of the Program. New Game Materials may not be designed to be used as a stand-alone product.
- New Game Materials must not contain any illegal, obscene or defamatory materials, materials that infringe rights of privacy and publicity of third parties or (without appropriate irrevocable licenses granted specifically for that purpose) any trademarks, copyright-protected works or other properties of third parties.
- All New Game Materials must contain prominent identification at least in any on-line description and with reasonable duration on the opening screen: (a) the name and E-mail address of the New Game Materials' creator(s) and (b) the words "THIS MATERIAL IS NOT MADE OR SUPPORTED BY ACTIVISION."
- All New Game Materials created by you shall be exclusively owned by Activision and/or its licensors as a derivative work (as such term is described under U.S. copyright law) of the Program and Activision and its licensors may use any New Game Materials made publicly available by you for any purpose whatsoever, including but not limited to, for purpose of advertising and promoting the Program.

LIMITED SOFTWARE WARRANTY. Excepting patches, updates and any downloaded content, and this Program if you are downloading it from an authorized Activision online reseller, Activision warrants to the original consumer purchaser of this Program that the recording medium on which the Program is recorded will be free from defects in material and workmanship for 90 days from the date of purchase. If the purchaser finds the recorded medium of the Program defective within 90 days of original purchase, Activision agrees to replace, free of charge, such recorded medium of the Program discovered to be defective within such period upon its receipt of the recorded medium of the Program, as long as the Program is still being manufactured by Activision. In the event that the Program is no longer available, Activision retains the right to substitute a similar product of equal or greater value. This warranty is limited to the recording medium of the Program as originally provided by Activision and is not applicable to normal wear and tear. This warranty shall not be applicable and shall be void if the defect has arisen through abuse, mistreatment or neglect. This remedy is the purchaser's sole, exclusive remedy, and is in lieu of all other express warranties. Any implied warranties on this product prescribed by statute, including but not limited to an implied warranty of merchantability or fitness for a particular purpose, are expressly limited in duration to the 90-day period described above. Activision reserves the right to modify this warranty prospectively at any time and from time to time in our sole discretion.

EXCEPT AS SET FORTH ABOVE, THIS WARRANTY IS IN LIEU OF ALL OTHER WARRANTIES, WHETHER ORAL OR WRITTEN, EXPRESS OR IMPLIED, INCLUDING ANY WARRANTY OF MERCHANTABILITY, FITNESS FOR A PARTICULAR PURPOSE OR NON-INFRINGEMENT, AND NO OTHER REPRESENTATIONS OR CLAIMS OF ANY KIND SHALL BE BINDING ON OR OBLIGATE ACTIVISION. IN NO EVENT WILL ACTIVISION BE LIABLE FOR SPECIAL, INCIDENTAL, OR CONSEQUENTIAL DAMAGE RESULTING FROM POSSESSION, USE OR MALFUNCTION OF THIS PRODUCT, INCLUDING DAMAGE TO PROPERTY AND, TO THE EXTENT PERMITTED BY LAW, DAMAGES FOR PERSONAL INJURY, EVEN IF ACTIVISION HAS BEEN ADVISED OF THE POSSIBILITY OF SUCH DAMAGES. SOME STATES DO NOT ALLOW LIMITATIONS ON HOW LONG AN IMPLIED WARRANTY LASTS AND/OR THE EXCLUSION OR LIMITATION OF INCIDENTAL OR CONSEQUENTIAL DAMAGES, SO THE ABOVE LIMITATIONS AND/OR EXCLUSION OR LIMITATION OF LIABILITY MAY NOT APPLY TO YOU. THIS WARRANTY GIVES YOU SPECIFIC LEGAL RIGHTS, AND YOU MAY HAVE OTHER RIGHTS WHICH VARY FROM STATE TO STATE.

Except with respect to patches, updates, downloaded content and this Program if you download it from an authorized Activision online reseller, please refer to Warranty procedures relating to your country of residence from the lists below.

If you download this Program from an authorized Activision online reseller, please refer to your authorized Activision online reseller for warranty information and procedures.

When returning the Software for warranty replacement, the original Software disks must be sent only in protective packaging and include: (1) photocopy of your dated sales receipt; (2) your name and return address typed or clearly printed; (3) a brief note describing the defect, the problem(s) you are encountering, and the system on which you are running the Software; and (4) if you are returning the Software after the ninety (90) day warranty period, but within one (1) year after the date of purchase, please include check or money order for \$10.00 U.S. (AUD \$20 for Australia (subject to availability), or £6.00 sterling for Europe) currency per CD or floppy disk replacement or \$15.00 U.S. (AUD \$25 for Australia (subject to availability) or £9.00 sterling for Europe) per DVD replacement.

Note: Certified mail recommended.

In the United States, send to:

Warranty Replacements, Activision Publishing, Inc., P.O. Box 67713, Los Angeles, California 90067

In Europe, send to:

Warranty Replacements, Activision (UK) Ltd., 3 Roundwood Avenue, Stockley Park, Uxbridge UB11 1AF, United Kingdom

In Australia and Asia Pacific territories, send to:

Warranty Replacements, Activision Asia Pacific, Level 5, 51 Rawson Street, Epping, NSW 2121, Australia

LIMITATION ON DAMAGES. IN NO EVENT WILL ACTIVISION BE LIABLE FOR SPECIAL, INCIDENTAL OR CONSEQUENTIAL DAMAGES RESULTING FROM POSSESSION, USE OR MALFUNCTION OF THE PROGRAM, INCLUDING DAMAGES TO PROPERTY, LOSS OF GOODWILL, COMPUTER FAILURE OR MALFUNCTION AND, TO THE EXTENT PERMITTED BY LAW, DAMAGES FOR PERSONAL INJURIES, EVEN IF ACTIVISION HAS BEEN ADVISED OF THE POSSIBILITY OF SUCH DAMAGES. ACTIVISION'S LIABILITY SHALL NOT EXCEED THE ACTUAL PRICE PAID FOR THE LICENSE TO USE THIS PROGRAM. SOME STATES/COUNTRIES DO NOT ALLOW LIMITATIONS ON HOW LONG AN IMPLIED WARRANTY LASTS AND/OR THE EXCLUSION OR LIMITATION OF INCIDENTAL OR CONSEQUENTIAL DAMAGES, SO THE ABOVE LIMITATIONS AND/OR EXCLUSION OR LIMITATION OF LIABILITY MAY NOT APPLY TO YOU. THIS WARRANTY GIVES YOU SPECIFIC LEGAL RIGHTS, AND YOU MAY HAVE OTHER RIGHTS WHICH VARY FROM JURISDICTION TO JURISDICTION.

TERMINATION. Without prejudice to any other rights of Activision, this Agreement will terminate automatically if you fail to comply with its terms and conditions. In such event, you must destroy all copies of this Program and all of its component parts.

U.S. GOVERNMENT RESTRICTED RIGHTS. The Program and documentation have been developed entirely at private expense and are provided as "Commercial Computer Software" or "restricted computer software." Use, duplication or disclosure by the U.S. Government or a U.S. Government subcontractor is subject to the restrictions set forth in subparagraph (c)(1)(ii) of the Rights in Technical Data and Computer Software clauses in DFARS 252.227-7013 or as set forth in subparagraph (c)(1) and (2) of the Commercial Computer Software Restricted Rights clauses at FAR 52.227-19, as applicable. The Contractor/Manufacturer is Activision Publishing, Inc., 3100 Ocean Park Boulevard, Santa Monica, California 90405.

INJUNCTION. Because Activision would be irreparably damaged if the terms of this Agreement were not specifically enforced, you agree that Activision shall be entitled, without bond, other security or proof of damages, to appropriate equitable remedies with respect to breaches of this Agreement, in addition to such other remedies as Activision may otherwise have under applicable laws.

INDEMNITY. You agree to indemnify, defend and hold Activision, its partners, affiliates, contractors, officers, directors, employees and agents harmless from all damages, losses and expenses arising directly or indirectly from your acts and omissions to act in using the Product pursuant to the terms of this Agreement.

MISCELLANEOUS. This Agreement represents the complete agreement concerning this license between the parties and supersedes all prior agreements and representations between them. It may be amended only by a writing executed by both parties. If any provision of this Agreement is held to be unenforceable for any reason, such provision shall be reformed only to the extent necessary to make it enforceable and the remaining provisions of this Agreement shall not be affected. This Agreement shall be construed under California law as such law is applied to agreements between California residents entered into and to be performed within California, except as governed by federal law and you consent to the exclusive jurisdiction of the state and federal courts in Los Angeles, California.